

# 3" Dia. Vacuum Disc Sander

## Right Angle, .4 hp, Rear Exhaust

**Safety, Operation and Maintenance – Save This Document and Educate All Personnel**

### Trimmed Shroud Models

Model	RPM	Vacuum	Port Size	Pad Size
50210	15,000	Self-Generated	1" Outer Dia.	3" (80 mm) Dia.
50211	15,000	Central Vacuum	1-1/4" Outer Dia.	3" (80 mm) Dia.

### Standard Shroud Models

Model	RPM	Vacuum	Port Size	Pad Size
50570	15,000	Self-Generated	1" Outer Dia.	3" (80 mm) Dia.
50561	15,000	Central Vacuum	1-1/4" Outer Dia.	3" (80 mm) Dia.



Find The Most Current Offering of Support Documents and Accessories at [www.Dynabrade.com](http://www.Dynabrade.com)

## ⚠ WARNING

Read and understand this tool manual before operating your air tool. Follow all safety rules for the protection of operating personnel as well as adjacent areas. Always operate, inspect and maintain this tool in accordance with the American National Standards Institute (ANSI) Safety Code for Portable Air Tools – B186.1. For additional safety information, refer to Safety Requirements for the Use, Care and Protection of Abrasive Wheels – ANSI B7.1, Code of Federal Regulation – CFR 29 Part 1910, European Committee for Standards (EN) Hand Held Non-Electric Power Tools – Safety Requirements and applicable State and Local Regulations.



Read and understand tool manual before work starts to reduce risk of injury to operator, visitors, and tool.



Eye protection must be worn at all times, eye protection to conform to ANSI Z87.1.



Ear protection to be worn when exposure to sound, exceeds the limits of applicable Federal, State or local statutes, ordinances and/or regulations.



Practice safety requirements. Work alert, have proper attire, and do not operate tools under the influence of alcohol or drugs.



Respiratory protection to be used when exposed to contaminants that exceed the applicable threshold limit values required by law.



Air line hazard, pressurized supply lines and flexible hoses can cause serious injury. Do not use damaged, frayed or deteriorated air hoses and fittings.

Some dust created by sanding, grinding, drilling, and other construction activities contain chemicals known to cause cancer, birth defects or other reproductive harm. Some examples of these chemicals are:

- Lead from lead-based paints
- Crystalline silica from bricks and cement and other masonry products
- Arsenic and chromium from chemically treated lumber

Your risk from these exposures varies, depending on how often you do this type of work. To reduce your exposure to these chemicals: work in a well ventilated area, and work with approved safety equipment, such as those dust masks that are specially designed to filter out microscopic particles.

## SAFETY INSTRUCTIONS



Carefully Read and Understand the General and Sander/Polisher sections found in Tool Safety and Operating Guidelines (PN00001676) Before Handling or Using Tool.

Carefully Read all instructions before operating or servicing any Dynabrade® Abrasive Power Tool. Products offered by Dynabrade are not to be modified, converted or otherwise altered from the original design.

**Tool Intent:** Vacuum Disc Sanders are ideal for deburring, deflashing, surface preparation, cleaning and finishing using proper accessories.

**DO NOT USE Tool for Anything Other Than Its Intended Applications.**

**Training:** Proper care, maintenance, and storage of your air tool will maximize tools performance and reduce chance for accident.

**Employer's Responsibility:** Provide operators with safety instructions and training for safe use of tools and accessories.

**Report to Your Supervisor any Condition of the Tool, Accessories or Operation you Consider Unsafe.**

# MAINTENANCE INSTRUCTIONS

**Important:** To keep tool safe, a Preventative Maintenance Program is recommended. The program should include inspection of the tool and all related accessories and consumables, including air lines, pressure regulators, filters, oilers, etc. refer to ANSI B186.1 for additional maintenance information. If accessory or tool breakage occurs, investigate failure to determine the cause and correct before issuing tool for work. Use the following schedule as a starting point in developing a Preventative Maintenance Program. If tool does not operate properly (RPM, Vibration, Start/Stop) after these scheduled checks or at any time, the tool must be repaired and corrected before returning tool to use.

## INSTALLATION

- To ensure long life and dependable service, use a Closed Loop Air System and Filter-Regulator-Lubricator as diagramed below.
- Each tool should have its own dedicated hose connected to an air supply manifold. Quick disconnects should be installed at the manifold in an effort to reduce contamination into the tool.
- It is strongly recommended that all Dynabrade rotary vane air tools be used with a Filter-Regulator-Lubricator to minimize the possibility of misuse due to unclean air, wet air or insufficient lubrication. Dynabrade recommends the following: **10681** Air Line Filter-Regulator-Lubricator — Provides accurate air pressure regulation, two-stage filtration of water contaminants and micro-mist lubrication of pneumatic components.
- Dynabrade recommends one drop of air lube per minute for each 20 SCFM (example: if the tool specification states 40 SCFM, set the drip rate on the filter-lubricator to 2 drops per minute) Dynabrade Air Lube (P/N **95842**: 1pt/473ml) is recommended.

## MAINTENANCE SCHEDULE

### Daily (every 8 hours):

- Inspect tool and accessories for damage or broken parts. Replace items as necessary to ensure proper operation and safety.
- Lubricate motor as recommended. Use Dynabrade Air Lube (P/N **95842**: 1pt/473ml) 10W/NR. (1 Drop per minute of air lube per 20 SCFM.)
- Check air line pressure with a gage. (MAX. 90 PSIG or 6.2 Bar operating pressure at the air inlet of the tool.)
- Right angled gear and wick system through gear case grease fitting with 3 plunges of gear oil (P/N **95848**) and grease gun (P/N **95541**). (Prime grease gun prior to greasing.)
- Check tool for proper operation: If operating improperly or demonstrates unusual vibration, the tool must be serviced and problem corrected before further use.

### Every 20 Hours or Once a Week Which Ever Comes First:

- Check free speed of tool without the abrasive accessory mounted. Measure RPM (speed) with tachometer and with air pressure set at 90 PSIG while the tool is running. If a governed tool is operating at a higher speed than the RPM marked on the tool housing, the tool must be serviced and corrected before use. A non-governed tool may exceed the RPM marked on the tool by 10% when operated at free speed with no accessories.
- If tool is running fast look for worn, damaged or missing governors, air control rings and silencers. Special care must be taken when servicing

governors and speed control devices. Injection molded governor assemblies are non-serviceable and must be replaced.

- If tool is running slow look for clogged inlet screen, air stream, silencer(s) or a malfunctioning governor (see concerns for servicing governors). Service as required.

### Every 50 Hours:

- Lubricate planetary gears through gear case grease fitting with 3 plunges of grease (P/N **95542**) and grease gun (P/N **95541**). (Prime grease gun prior to greasing.)

## REPAIR

- Use only genuine Dynabrade replacement parts to ensure quality. To order replacement parts, specify Model#, Serial# and RPM of your air tool.
- Mineral spirits are recommended when cleaning the tool and parts. Do not clean tool or parts with any solvents or oils containing acids, esters, ketones, chlorinated hydrocarbons or nitro carbons.
- DO NOT clean or maintain tools with chemicals that have a low flash point (example: WD-40®).
- Motor Tune-Up Kit are available (when applicable) which includes high wear and medium wear motor parts.
- Air tool markings must be kept legible at all times, if not, reorder housing and replace. User is responsible for maintaining specification information.
- After maintenance is performed on tool, add a few drops of Dynabrade Air Lube (P/N **95842**) to the tool inlet and start the tool a few times to lubricate air motor. Verify RPM (per 20 hr maintenance schedule), vibration and operation.

## HANDLING & STORAGE

- Use of tool rests, hangers and/or balancers is recommended.
- Protect tool inlet from debris (see Notice).
- DO NOT carry tool by air hose or near the tool throttle lever.
- Store accessories in protective racks or compartments to prevent damage.
- Follow the handling instructions outlined in the operating instructions when carrying the tool and when changing accessories.
- Protect accessories from exposure to water, solvents, high humidity, freezing temperature and extreme temperature changes.

## END OF USE/DISPOSAL

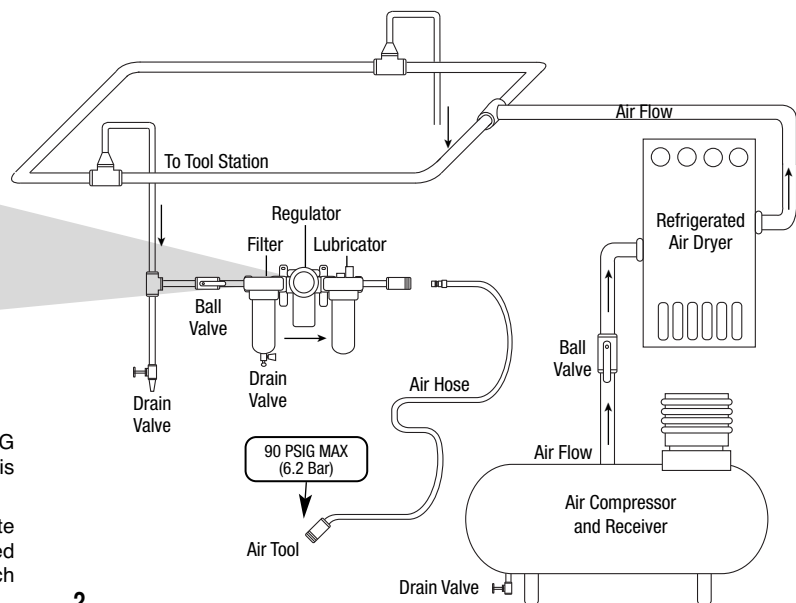
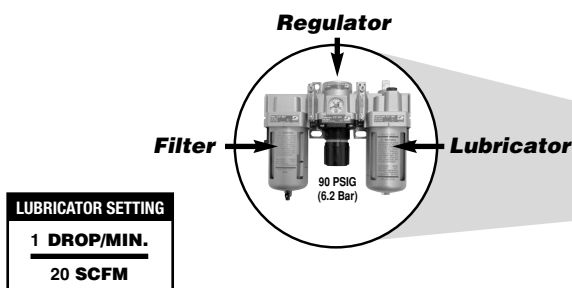
When tool has reached its end of useful service, disassemble tool into its primary components (i.e. steel, aluminum and plastic part) and recycle or discard per local, state and/or federal regulations as to not harm the environment.

## NOTICE

All Dynabrade motors use the highest quality parts and metals available and are machined to exacting tolerances. The failure of quality pneumatic motors can most often be traced to an unclean air supply or the lack of lubrication. Air pressure easily forces dirt or water contained in the air supply into motor bearings causing early failure. It often scores the cylinder walls and the rotor blades resulting in limited efficiency and power. Our warranty obligation is contingent upon proper use of our tools and cannot apply to equipment which has been subjected to misuse such as unclean air, wet air or a lack of lubrication during the use of this tool.

## AIR SYSTEM

*Closed Loop Pipe System, Sloped in Direction of Air Flow*

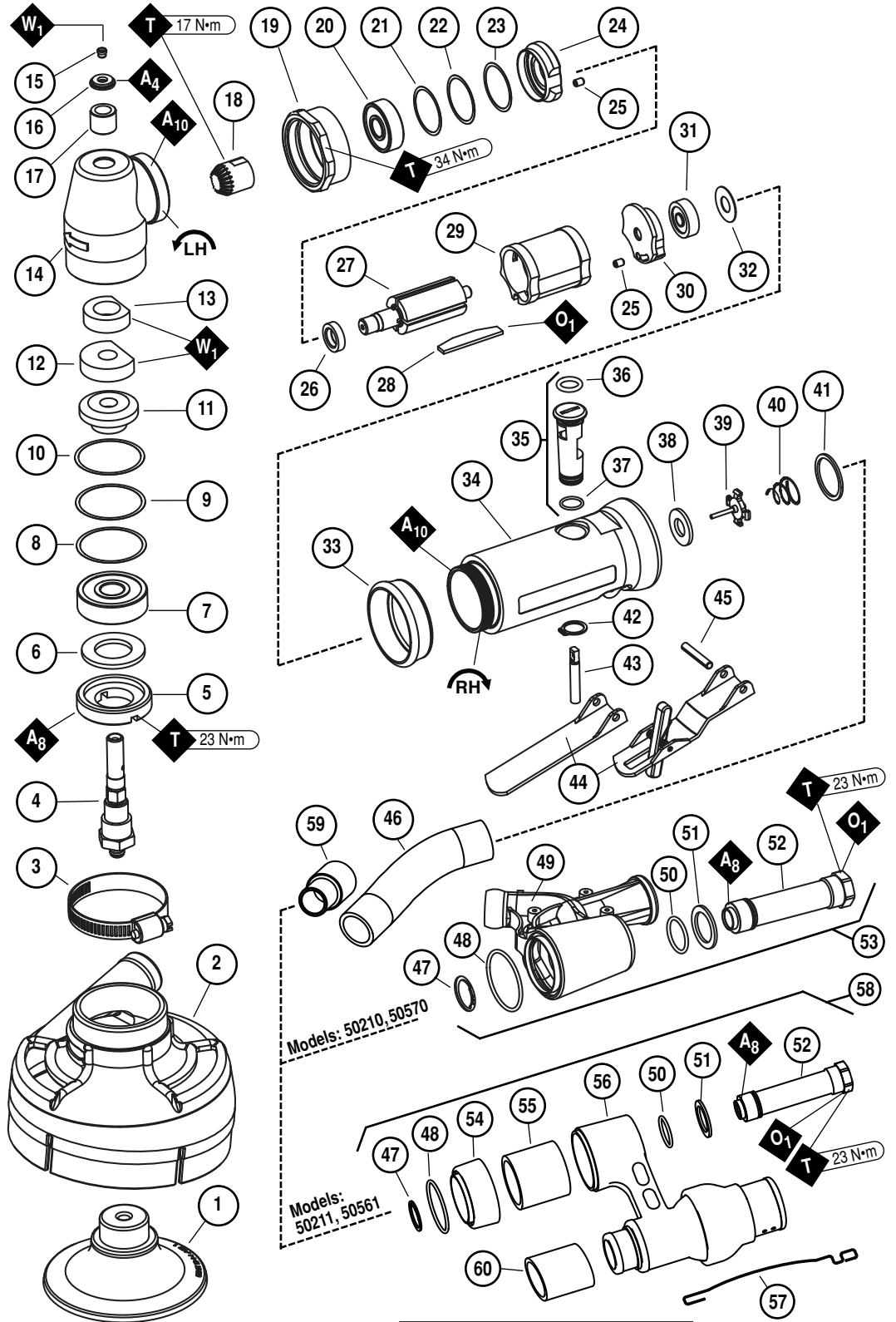


- Dynabrade Air Power Tools are designed to operate at 90 PSIG (6.2 Bar) maximum air pressure at the tool inlet, when the tool is running. Use recommended regulator to control air pressure.
- Ideally the air supply should be free from moisture. To facilitate removing moisture from air supply, the installation of a refrigerated air dryer after the compressor and the use of drain valves at each tool station is recommended.

**Models:**  
50210, 50211, 50561, 50570

# 3" Dia. Vacuum Disc Sander Complete Assembly

Index Key		
No.	Part #	Description
1	51346	Pad
2	50771	Shroud - Standard
	50789	Shroud - Trimmed
3	97326	Clamp
4	02029	Spindle
5	02035	Lock Nut
6	01486	Felt Silencer
7	54520	Bearing
8	97116	Shim - .001" (0.03 mm)
9	97117	Shim - .002" (0.05 mm)
10	97118	Shim - .003" (0.08 mm)
11	02597	Gear
12	02044	Wick
13	02045	Wick
14	02031	Housing (Includes: 01041, 02041)
15	01041	Gear Oil Fitting
16	02041	Gear Oil Plate
17	02033	Needle Bearing
18	02598	Pinion
19	01461	Lock Nut
20	02649	Bearing
21	54543	Shim - .001" (0.03 mm)
22	54544	Shim - .002" (0.05 mm)
23	54551	Shim - .003" (0.08 mm)
24	01478	Front Bearing Plate
25	50767	Pin (2)
26	01479	Spacer
27	02037	Rotor
28	01480	Vane (4/pkg.)
29	01476	Cylinder
30	02676	Rear Bearing Plate
31	02696	Bearing
32	02679	Shield
33	01547	Collar
34	<b>Housing</b> 50774 Model: 50210 50775 Model: 50211 50773 Model: 50561 50772 Model: 50570	
35	01469	Speed Regulator Assy. (Includes: 01024, 95730)
36	01024	O-Ring
37	95730	O-Ring
38	01464	Seal
39	01472	Tip Valve
40	01468	Spring
41	01564	Air Control Ring
42	95558	Retaining Ring
43	01449	Valve Stem
44	01448	Throttle Lever
	01462	Safety-Lock Lever (Optional)
45	12132	Pin
46	96584	Vac. Hose - Self-Gen. (Non-Conductive/Grey)
	31937	Vac. Hose - Cnt. Vacuum (Conductive/Black)
47	95711	Retaining Ring
48	95438	O-Ring
49	94532	Vacuum Adapter
50	95375	O-Ring
51	94526	Spacer
52	94523	Inlet Adapter
53	53207	Vacuum Assembly
54	94521	Muffler Base
55	94528	Silencer
56	02295	Muffler Cap (Inc.'s 31953)
57	31953	Wire
58	02292	Muffler Cap & Ball Swivel Assy.
59	31908	Hose Cuff - Cnt. Vacuum (Conductive/Black)
	95601	Hose Cuff - Self-Gen. (Non-Conductive/Grey)
60	97180	Hose Cuff - Cnt. Vacuum (Conductive/Black)



95262 14 mm Wrench

KEY	
<b>O</b>	Oil: O <sub>1</sub> = Air Lube
<b>W</b>	Wicking: W <sub>1</sub> = Gear Oil
<b>A</b>	Adhesive: A <sub>4</sub> = Loctite #680 A <sub>8</sub> = Loctite #567 A <sub>10</sub> = Loctite #243
<b>T</b>	Torque: N·m x 8.85 = In. - lbs.

# LIFETIME WARRANTY

To validate Dynabrade Lifetime Warranty, you must register each tool at: [www.dynabrade.com](http://www.dynabrade.com). Registration of each tool at website is required. Dynabrade will not honor Lifetime Warranty on unregistered tools. Please view the entire Lifetime Warranty Policy at : [www.dynabrade.com](http://www.dynabrade.com).



## MACHINE SPECIFICATIONS

Model	Speed	Power	Sound	Air Consumption	Spindle	Weight	Length	Height
50210	15,000 RPM	.4 hp (298 W)	89 db(A)	21 SCFM (595 LPM)	1/4"-20 Male	1.7 lb. (0.7 kg)	9.69" (246 mm)	3.86" (98 mm)
50211	15,000 RPM	.4 hp (298 W)	86 db(A)	21 SCFM (595 LPM)	1/4"-20 Male	1.7 lb. (0.7 kg)	10" (254 mm)	3.86" (98 mm)
50561	15,000 RPM	.4 hp (298 W)	86 db(A)	21 SCFM (595 LPM)	1/4"-20 Male	1.7 lb. (0.7 kg)	10" (254 mm)	4.38" (111 mm)
50570	15,000 RPM	.4 hp (298 W)	89 db(A)	21 SCFM (595 LPM)	1/4"-20 Male	1.7 lb. (0.7 kg)	9.69" (246 mm)	4.38" (111 mm)

Additional Specifications: Air Inlet Thread 1/4" NPT • Hose I.D. 1/4" (6 mm)

Sound Level is the pressure measurement according to the method outlined in ISO regulation ISO-15744

## OPTIONAL ACCESSORIES



### Motor Tune-Up Kit

- Includes assorted parts to help maintain and repair motor.

Part No. 96179



### Dynabrade Air Lube

- Formulated for pneumatic equipment.
- Absorbs up to 10% of its weight in water.
- Prevents rust and formation of sludge.
- Keeps pneumatic tools operating longer with greater power and less down time.

Part No. 95842: 1pt. (473 ml)

Part No. 95843: 1 gal. (3.8 L)



### Drop-In Motor

- Allows quick and easy replacement. No motor adjustments needed.

Part No. 02050



### Dynaswivel®

- Swivels 360° at two locations which allows an air hose to drop straight to the floor, no matter how the tool is held.

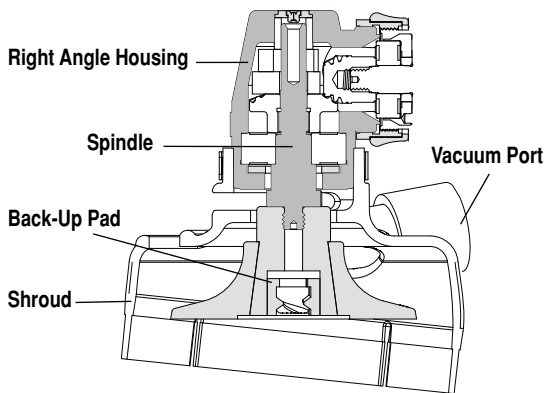
Part No. 94300 – 1/4" NPT.



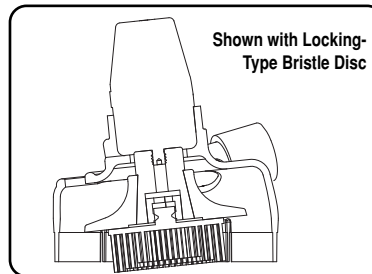
### Portable Vacuum Systems

- Dynabrade offers a wide assortment of vacuuming options to choose from. To help make your selection please request the most current portable vacuum systems literature form your local representative or by searching our web site.

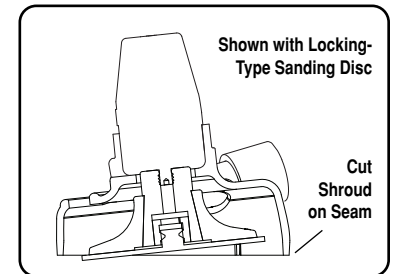
## SHROUD CONFIGURATIONS – SIDE VIEW



### UNALTERED SHROUD



### ALTERED SHROUD



## REFERENCE CONTACT INFORMATION

- American National Standards Institute – ANSI**  
1899 L Street, NW  
11th Floor  
Washington, DC 20036  
Tel: 1 (212) 642-4900
- Government Printing Office – GPO**  
Superintendent of Documents  
Attn. New Orders  
P.O. Box 371954  
Pittsburgh, PA 15250-7954  
Tel: 1 (202) 512-1803
- Power Tool Institute, Inc.**  
P.O. Box 818  
Yachata, Oregon 97498-0818  
Tel: 1 (503) 547-3185
- European Committee for Standardization**  
Rue de Stassart 36  
B - 1050 Brussels, Belgium

**DYNABRADE, INC.**

[www.dynabrade.com](http://www.dynabrade.com)

8989 Sheridan Drive • Clarence, NY 14031-1419 • Phone: (716) 631-0100 • Fax: 716-631-2073 • International Fax: 716-631-2524  
© DYNABRADE, INC., 2011 PRINTED IN USA PD11.38\_11/11

