

2" Disc Sander

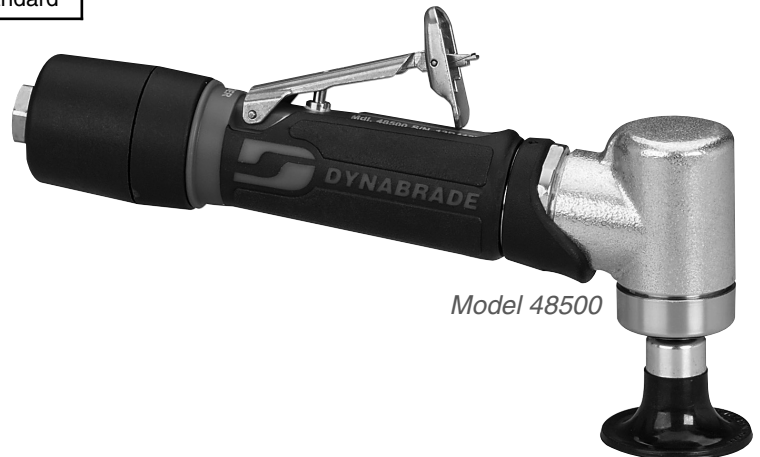
7° Offset, Rear Exhaust

PD12•21R
November, 2015

Safety, Operation and Maintenance – Save This Document and Educate All Personnel

Model	RPM	Pad Type	Spindle Thread	Muffler
48500	25,000	Locking-Type (Female)	1/4"-20	Extended
48503	25,000	Locking-Type (Female)	1/4"-20	Standard

SANDER/POLISHER



Model 48500

Find The Most Current Offering of Support Documents and Accessories at www.Dynabrade.com

⚠ WARNING

Read and understand this tool manual before operating your air tool. Follow all safety rules for the protection of operating personnel as well as adjacent areas. Always operate, inspect and maintain this tool in accordance with the American National Standards Institute (ANSI), Safety Requirements for the Use, Care and Protection of Abrasive Wheels – ANSI B7.1, Compressed Air and Gas Institute (CAGI) Safety Code for Portable Air Tools – B186.1, Code of Federal Regulation – CFR 29 Part 1910, International Organization for Standardization (ISO) Hand Held Non-Electric Power Tools – ISO 11148, Safety Requirements and applicable State and Local Regulations.



Read and understand tool manual before work starts to reduce risk of injury to operator, visitors, and tool.



Eye protection must be worn at all times, eye protection to conform to ANSI Z87.1.



Ear protection to be worn when exposure to sound, exceeds the limits of applicable Federal, State or local statutes, ordinances and/or regulations.



Practice safety requirements. Work alert, have proper attire, and do not operate tools under the influence of alcohol or drugs.



Respiratory protection to be used when exposed to contaminants that exceed the applicable threshold limit values required by law.



Air line hazard, pressurized supply lines and flexible hoses can cause serious injury. Do not use damaged, frayed or deteriorated air hoses and fittings.

Some dust created by sanding, grinding, drilling, and other construction activities contain chemicals known to cause cancer, birth defects or other reproductive harm. Some examples of these chemicals are:

- Lead from lead-based paints
- Crystalline silica from bricks and cement and other masonry products
- Arsenic and chromium from chemically treated lumber

Your risk from these exposures varies, depending on how often you do this type of work. To reduce your exposure to these chemicals: work in a well ventilated area, and work with approved safety equipment, such as those dust masks that are specially designed to filter out microscopic particles.

SAFETY and OPERATING INSTRUCTIONS



Carefully Read and Understand the General and Sander/Polisher sections found in Tool Safety and Operating Guidelines (PN00001676) Before Handling or Using Tool.

Carefully Read all instructions before operating or servicing any Dynabrade® Abrasive Power Tool. Products offered by Dynabrade are not to be modified, converted or otherwise altered from the original design.

Tool Intent: 2" Diameter Disc Sanders are ideal for material removal and finishing using 2" Backup pads with appropriate sized abrasives.

DO NOT USE Tool for Anything Other Than Its Intended Applications.

Training: Proper care, maintenance, and storage of your air tool will maximize tools performance and reduce chance for accident.

Employer's Responsibility: Provide operators with safety instructions and training for safe use of tools and accessories.

Report to Your Supervisor any Condition of the Tool, Accessories or Operation you Consider Unsafe.

MAINTENANCE INSTRUCTIONS

Important: To keep tool safe, a Preventative Maintenance Program is recommended. The program should include inspection of the tool and all related accessories and consumables, including air lines, pressure regulators, filters, oilers, etc. refer to CAGI B186.1 for additional maintenance information. If accessory or tool breakage occurs, investigate failure to determine the cause and correct before issuing tool for work. Use the following schedule as a starting point in developing a Preventative Maintenance Program. If tool does not operate properly (RPM, Vibration, Start/Stop) after these scheduled checks or at any time, the tool must be repaired and corrected before returning tool to use.

INSTALLATION

- To ensure long life and dependable service, use a Closed Loop Air System and Filter-Regulator-Lubricator as diagramed below.
- Each tool should have its own dedicated hose connected to an air supply manifold. Quick disconnects should be installed at the manifold in an effort to reduce contamination into the tool.
- It is strongly recommended that all Dynabrade rotary vane air tools be used with a Filter-Regulator-Lubricator to minimize the possibility of misuse due to unclean air, wet air or insufficient lubrication. Dynabrade recommends the following: **10681** Air Line Filter-Regulator-Lubricator — Provides accurate air pressure regulation, two-stage filtration of water contaminants and micro-mist lubrication of pneumatic components.
- Dynabrade recommends one drop of air lube per minute for each 20 SCFM (example: if the tool specification states 40 SCFM, set the drip rate on the filter-lubricator to 2 drops per minute) Dynabrade Air Lube (P/N **95842**: 1pt/473ml) is recommended.

MAINTENANCE SCHEDULE

Daily (every 8 hours):

- Inspect tool and accessories for damage or broken parts. Replace items as necessary to ensure proper operation and safety.
- Lubricate motor as recommended. Use Dynabrade Air Lube (P/N **95842**: 1pt/473ml) 10W/NR. (1 Drop per minute of air lube per 20 SCFM.)
- Check air line pressure with a gage. (MAX. 90 PSIG or 6.2 Bar operating pressure at the air inlet of the tool.)
- Right angled gear and wick system through gear case grease fitting with 3 plunges of gear oil (P/N **95848**) and grease gun (P/N **95541**). (Prime grease gun prior to greasing.)
- Check tool for proper operation: If operating improperly or demonstrates unusual vibration, the tool must be serviced and problem corrected before further use.

Every 20 Hours or Once a Week Which Ever Comes First:

- Check free speed of tool without the abrasive accessory mounted. Measure RPM (speed) with tachometer and with air pressure set at 90 PSIG while the tool is running. If a governed tool is operating at a higher speed than the RPM marked on the tool housing, the tool must be serviced and corrected before use. A non-governed tool may exceed the RPM marked on the tool by 10% when operated at free speed with no accessories.
- If tool is running fast look for worn, damaged or missing governors, air control rings and silencers. Special care must be taken when servicing

governors and speed control devices. Injection molded governor assemblies are non-serviceable and must be replaced.

- If tool is running slow look for clogged inlet screen, air stream, silencer(s) or a malfunctioning governor (see concerns for servicing governors). Service as required.

Every 50 Hours:

- Lubricate planetary gears through gear case grease fitting with 3 plunges of grease (P/N **95542**) and grease gun (P/N **95541**). (Prime grease gun prior to greasing.)

REPAIR

- Use only genuine Dynabrade replacement parts to ensure quality. To order replacement parts, specify Model#, Serial# and RPM of your air tool.
- Mineral spirits are recommended when cleaning the tool and parts. Do not clean tool or parts with any solvents or oils containing acids, esters, ketones, chlorinated hydrocarbons or nitro carbons.
- DO NOT clean or maintain tools with chemicals that have a low flash point (example: WD-40®).
- Motor Tune-Up Kit are available (when applicable) which includes high wear and medium wear motor parts.
- Air tool markings must be kept legible at all times, if not, reorder housing and replace. User is responsible for maintaining specification information.
- After maintenance is performed on tool, add a few drops of Dynabrade Air Lube (P/N **95842**) to the tool inlet and start the tool a few times to lubricate air motor. Verify RPM (per 20 hr maintenance schedule), vibration and operation.

HANDLING & STORAGE

- Use of tool rests, hangers and/or balancers is recommended.
- Protect tool inlet from debris (see Notice).
- DO NOT carry tool by air hose or near the tool throttle lever.
- Store accessories in protective racks or compartments to prevent damage.
- Follow the handling instructions outlined in the operating instructions when carrying the tool and when changing accessories.
- Protect accessories from exposure to water, solvents, high humidity, freezing temperature and extreme temperature changes.

END OF USE/DISPOSAL

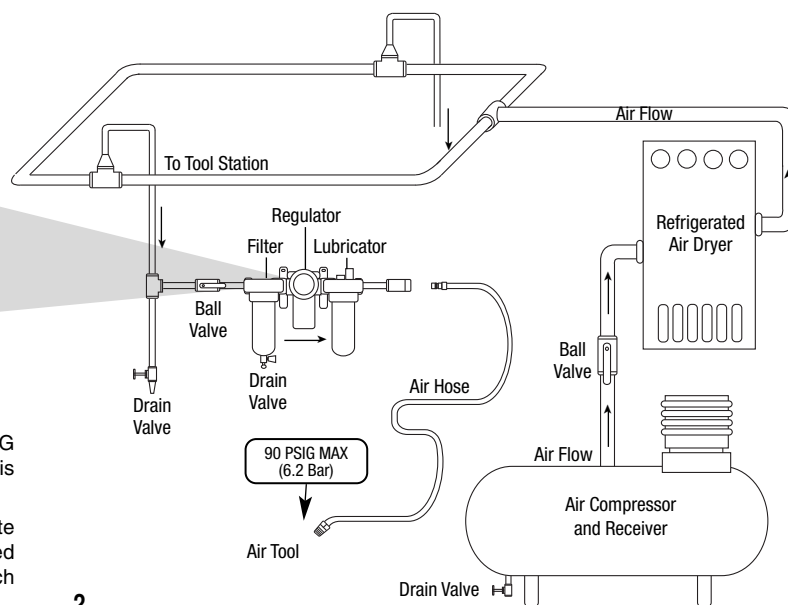
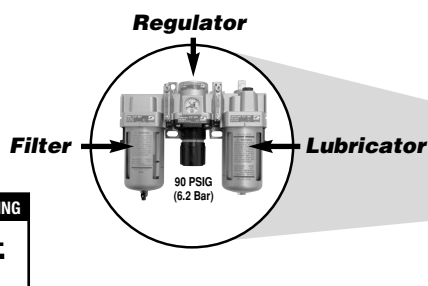
When tool has reached its end of useful service, disassemble tool into its primary components (i.e. steel, aluminum and plastic part) and recycle or discard per local, state and/or federal regulations as to not harm the environment.

NOTICE

All Dynabrade motors use the highest quality parts and metals available and are machined to exacting tolerances. The failure of quality pneumatic motors can most often be traced to an unclean air supply or the lack of lubrication. Air pressure easily forces dirt or water contained in the air supply into motor bearings causing early failure. It often scores the cylinder walls and the rotor blades resulting in limited efficiency and power. Our warranty obligation is contingent upon proper use of our tools and cannot apply to equipment which has been subjected to misuse such as unclean air, wet air or a lack of lubrication during the use of this tool.

AIR SYSTEM

Closed Loop Pipe System, Sloped in Direction of Air Flow



- Dynabrade Air Power Tools are designed to operate at 90 PSIG (6.2 Bar) maximum air pressure at the tool inlet, when the tool is running. Use recommended regulator to control air pressure.
- Ideally the air supply should be free from moisture. To facilitate removing moisture from air supply, the installation of a refrigerated air dryer after the compressor and the use of drain valves at each tool station is recommended.

Models

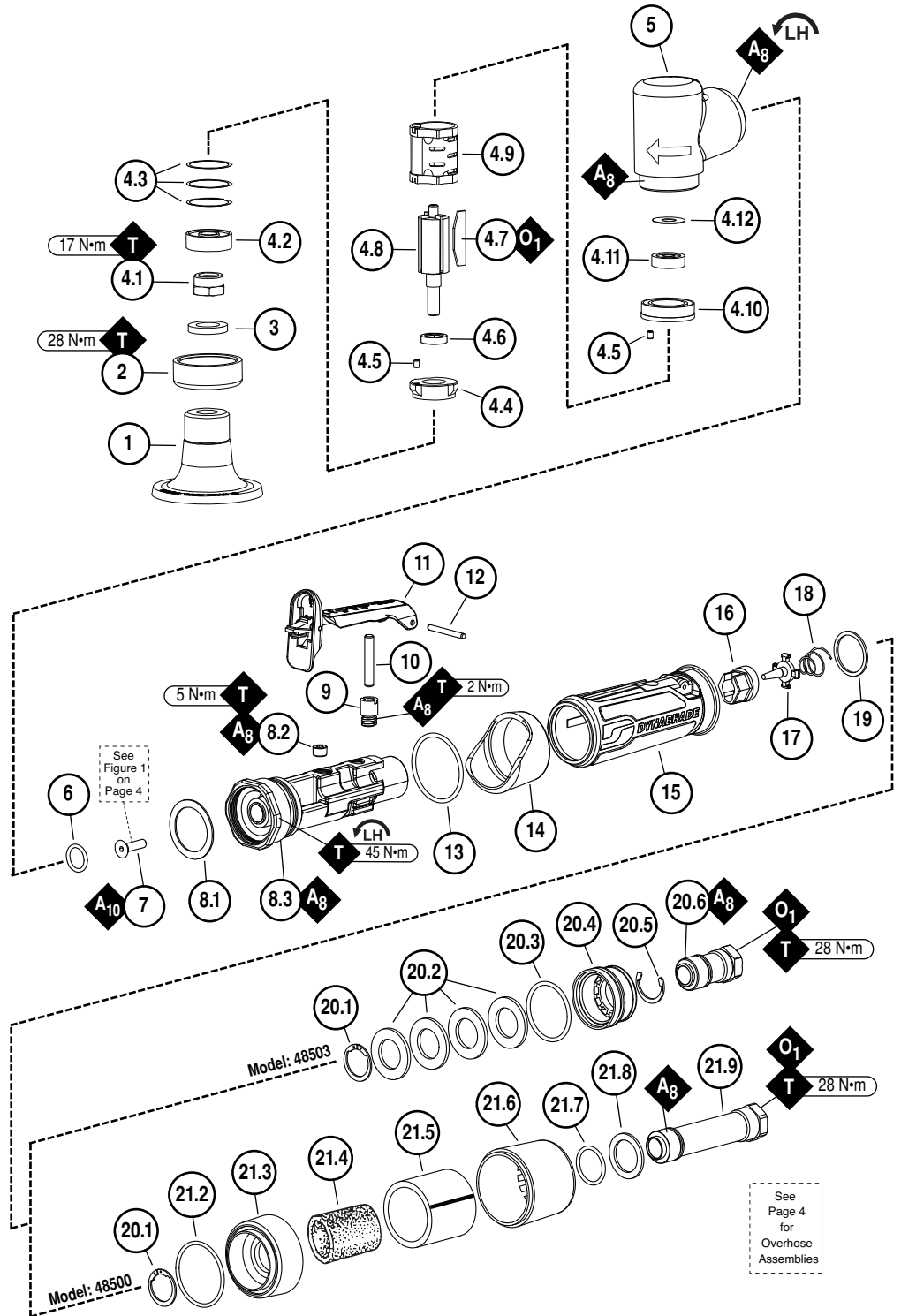
48500 – Extended Muffler

48503 – Standard Muffler

2" Disc Sander Complete Assembly

ITEM	P/N	DESCRIPTION	QTY
1	51348	2" LOCKING-TYPE PAD (1/4"-20)	1
2	01560	LOCK NUT	1
3	01580	FELT SEAL	1
4	01392	SHORT BLOCK ASSEMBLY	1
4.1	50133	ADAPTER (1/4"-20)	1
4.2	02649	BEARING	1
4.3	54529	SHIM PACK (3/PKG)	AR
4.4	01478	FRONT BEARING PLATE	1
4.5	50767	PIN	2
4.6	01479	SPACER	1
4.7	01480	VANE SET (4/PKG)	1
4.8	01594	ROTOR	1
4.9	01476	CYLINDER	1
4.10	02673	REAR BEARING PLATE	1
4.11	02696	BEARING	1
4.12	02679	SHEILD	1
5	01546	HOUSING	1
6	95523	O-RING	1
7	95710	SCREW	1
8	45309	THROTTLE BODY ASSEMBLY	1
8.1	01548	GASKET	1
8.2	01437	PLUG	1
8.3	45309	CORE	1
9	45315	THROTTLE BUSHING	1
10	97045	PIN	1
11	45263	SAFETY THROTTLE LEVER	1
12	97060	PIN	1
13	96077	O-RING	1
14	01558	COLLAR	1
15	45243 45242	EXTERIOR HOUSING - MDL 48500 EXTERIOR HOUSING - MDL 48503	1
16	45310	SEAL	1
17	58365	TIP VALVE	1
18	01468	SPRING	1
19	01564	AIR CONTROL RING	1
21	94535	STANDARD MUFFLER ASSEMBLY	1
20.1	95711	SNAP RING	1
20.2	01486	FELT SILENCER	4
20.3	96065	O-RING	1
20.4	01446	AIR DEFLECTOR	1
20.5	95620	RETAINING RING	1
20.6	01578	INLET ADAPTER ASSEMBLY	1
21	94520	EXTENDED MUFFLER ASSEMBLY	1
21.2	95438	O-RING	1
21.3	94521	MUFFLER BASE	1
21.4	94524	SINTERED BRONZE MUFFLER	1
21.5	94525	FELT SILENCER	1
21.6	94522	MUFFLER CAP	1
21.7	95375	O-RING	1
21.8	94526	SPACER	1
21.9	94523	INLET ADAPTER ASSEMBLY	1
-	96076	WRENCH - 12 MM	1

AR – "As Required"



KEY	
O	Oil: O ₁ = Air Lube
A	Adhesive: A ₂ = Loctite #271 A ₈ = Loctite #567 A ₁₀ = Loctite #243
T	Torque: N·m x 8.85 = In. - lbs.

Always follow adhesive manufacturers cleaning and priming recommendations.

LIFETIME WARRANTY

To validate Dynabrade Lifetime Warranty, you must register each tool at: www.dynabrade.com. Registration of each tool at website is required. Dynabrade will not honor Lifetime Warranty on unregistered tools. Please view the entire Lifetime Warranty Policy at : www.dynabrade.com.



MACHINE SPECIFICATIONS

Model	Speed	Power	Sound	Air Consumption	Air Pressure	Weight	Length	Height
48500	25,000 RPM	.4 hp (298 W)	73 db(A)	25 SCFM (708 LPM)	90 PSIG (6.2 Bars)	1.3 lb. (0.59 kg)	8.7" (222 mm)	3.9" (98 mm)
48503	25,000 RPM	.4 hp (298 W)	73 db(A)	25 SCFM (708 LPM)	90 PSIG (6.2 Bars)	1.1 lb. (0.49 kg)	7.2" (183 mm)	3.9" (98 mm)

Additional Specifications: Air Inlet Thread 1/4" NPT • Hose I.D. 1/4" (6 mm)

Sound Level is the pressure measurement according to the method outlined in ISO regulation ISO-15744

OPTIONAL ACCESSORIES



Motor Tune-Up Kit

- Includes assorted parts to help maintain and repair motor.

Part No. 96541



Dynabrade Air Lube

- Formulated for pneumatic equipment.
- Absorbs up to 10% of its weight in water.
- Prevents rust and formation of sludge.
- Keeps pneumatic tools operating longer with greater power and less down time.

Part No. 95842: 1 pt. (473 ml)

Part No. 95843: 1 gal. (3.8 L)



Overhose Assembly

- Redirects exhaust away from operator.

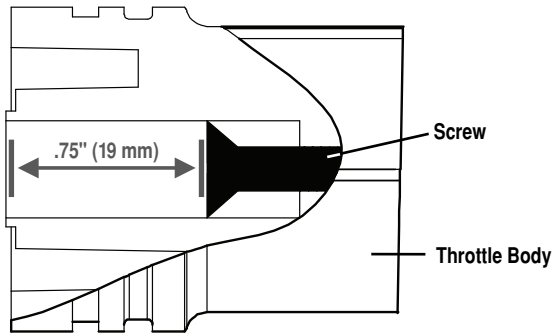
Part No. 94994

- For use with standard exhaust models only.

Part No. 94995

- For use with extended exhaust models only.

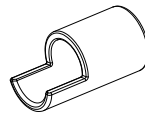
FIGURE 1



MODELS: 48500 & 48503

ADJUST SCREW (PART NO. 95710) DEPTH TO .75" (19 MM) TO ATTAIN PROPER SPEED OF 25,000 RPM

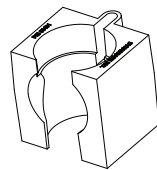
SPECIAL REPAIR TOOLS



Socket

- 3/8" Drive
- For use on throttle body.

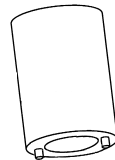
Part No. 96393



Repair Collar

- Used to protect right angle and 7" offset housings when placed in a vise.

Part No. 96461



Lock Ring Tool

Part No. 50971

- For removal/tightening of 01560 Lock Nut.



Hex Key Wrench

- 12 mm hex
- Use in housing core or air inlet.

Part No. 96399



Crowfoot Wrench

- 3/8" Drive
- 34 mm
- Use on throttle body, housing core & lock nuts.

Part No. 96460

REFERENCE CONTACT INFORMATION

American National Standards Institute (ANSI)

1899 L Street, NW, 11th Floor • Washington, DC 20036 • Tel: 1 (202) 293-8020

Compressed Air & Gas Institute

1300 Sumner Ave. • Cleveland, OH 44115-2851
Tel: 1 (216) 241-7333 • Fax: (216) 241-0105

European Committee for Standardization

Rue de Stassart 36 • B - 1050 Brussels, Belgium

International Organization of Standards

Case postale 56 • CH-1211 Geneva 20
Tel: + 41 22 749 01 11 • Fax: + 41 22 749 09 47

Government Printing Office

Superintendent of Documents • Attn: New Orders
P.O. Box 371954 • Pittsburgh, PA 15250-7954
Tel: 1 (202) 512-1803

DYNABRADE, INC.

8989 Sheridan Drive • Clarence, NY 14031-1419 • Phone: (716) 631-0100 • Fax: 716-631-2073 • International Fax: 716-631-2524
©DYNABRADE, INC., 2015

www.dynabrade.com

